

Fig. 1

Copyright © 1998 by Intel Corporation. All rights reserved. Intel, the Intel logo, and Pentium are trademarks or registered trademarks of Intel Corporation or its subsidiaries in the United States and other countries. Other brands and product names are trademarks of their respective owners.

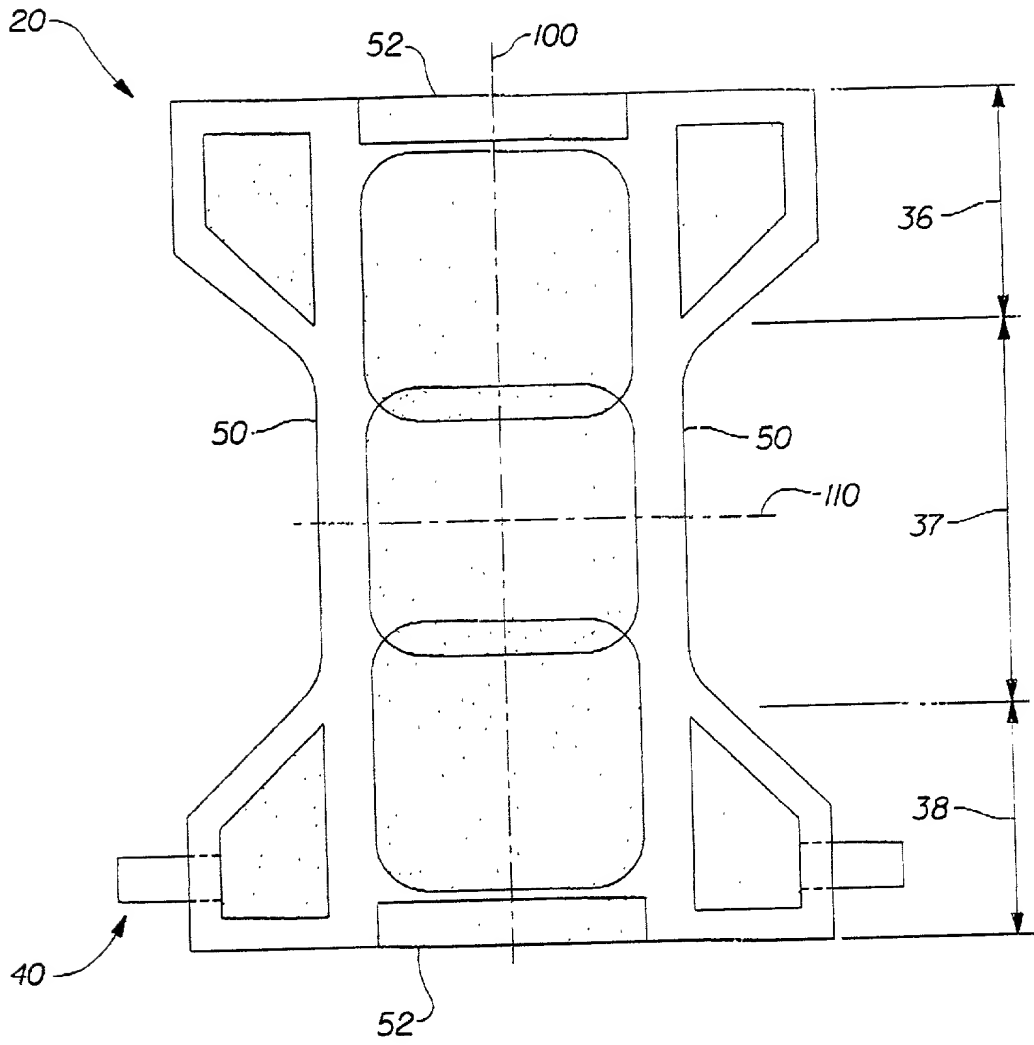


Fig. 2

3/4

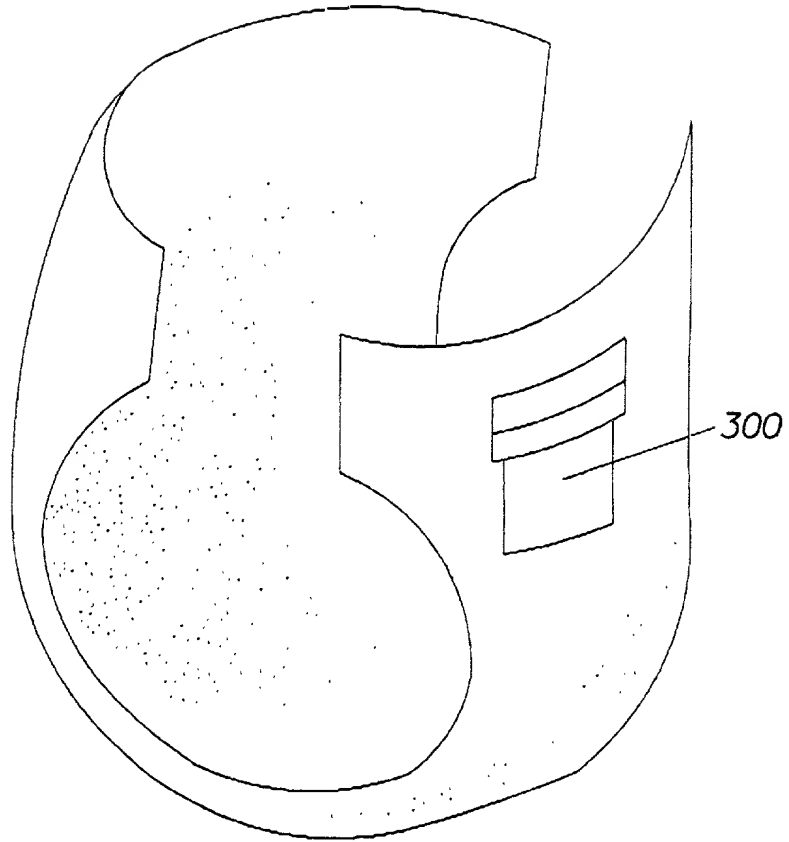
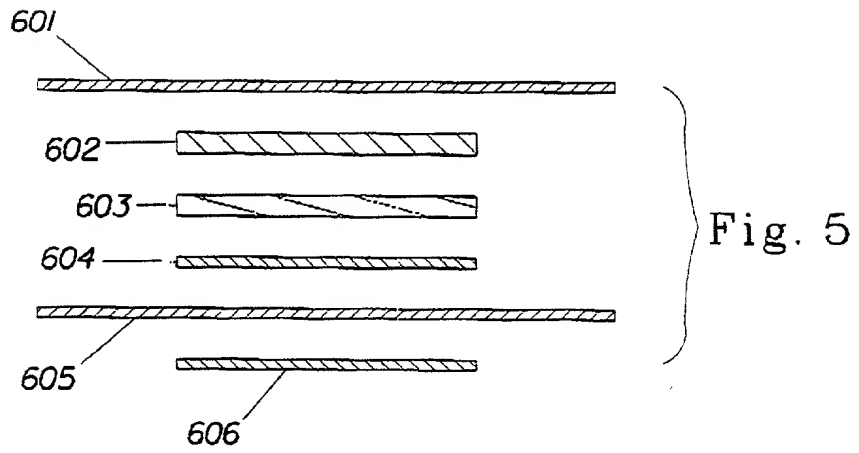
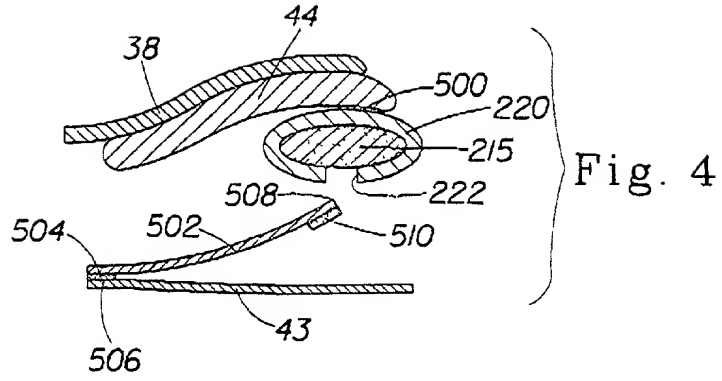


Fig. 3

FOR THE



www.4mat.com